



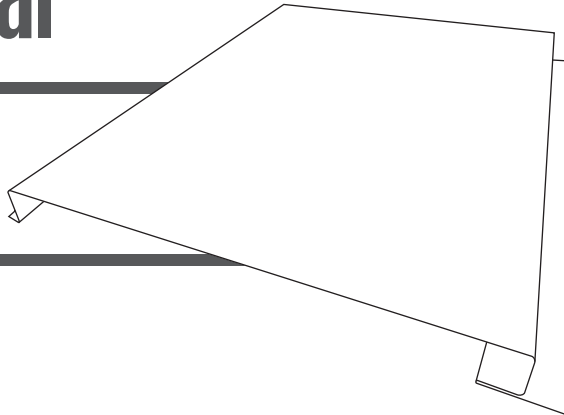
CONCEALED
FASTENER
ROOF AND WALL
SYSTEMS

Installation Manual

SOFFIT PANEL

SOFFIT

PANEL



San Antonio • 2707 Castrovilla Rd • San Antonio, TX 78237 • (210) 227-727 McAllen • 2221 Austin Ave • McAllen, TX 78501 • (956) 627-2966
Dallas • 11569 Goodnight Ln • Dallas, TX 75229 • (972) 331 6800 Houston • 6460 Langfield Road • Houston, TX 77092 • (713) 944-4480

www.saqualitymetals.com

Quality Metals © ALL RIGHTS RESERVED 2023.



CONCEALED
FASTENER
ROOF AND WALL
SYSTEMS

SOFFIT
PANEL

IMPORTANT NOTICE

THIS MANUAL CONTAINS SUGGESTIONS AND GUIDELINES ON HOW TO INSTALL THE NS-100 SNAP LOCK PANEL AND TRIM DETAILS MANUFACTURED BY QUALITY METALS. THE CONTENTS OF THIS MANUAL REFLECT THE GUIDELINES IN EFFECT AT THE TIME OF ITS ORIGINAL PUBLICATION. QUALITY METALS RESERVES THE RIGHT TO MODIFY SPECIFICATIONS AND/OR DESIGNS WITHOUT OBLIGATION, IN RESPONSE TO EVOLVING CODE REQUIREMENTS. TO ENSURE ACCESS TO THE LATEST INFORMATION, PLEASE CONSULT OUR WEBSITE OR CONTACT US DIRECTLY.

APPLICATION AND DESIGN DETAILS PROVIDED HEREIN ARE FOR ILLUSTRATIVE PURPOSES ONLY AND MAY NOT BE SUITABLE FOR ALL ENVIRONMENTAL CONDITIONS OR BUILDING DESIGNS. PROJECTS SHOULD BE ENGINEERED AND INSTALLED IN ACCORDANCE WITH APPLICABLE BUILDING CODES, REGULATIONS, AND ACCEPTED INDUSTRY PRACTICES.

BEFORE COMMENCING INSTALLATION OF THE QUALITY METALS NS-100 ROOFING SYSTEM, THOROUGHLY REVIEW THIS MANUAL.

PRIOR TO INSTALLATION, INSPECT EACH PANEL AND ACCESSORY CAREFULLY. DO NOT INSTALL ANY QUALITY METALS PRODUCT THAT IS DAMAGED. PLEASE NOTIFY QUALITY METALS IMMEDIATELY IF ANY PRODUCT DOES NOT MEET SPECIFICATIONS OR HAS BEEN DAMAGED.



IMPORTANT INFORMATION

The application and detail drawings contained in this manual are solely for illustrative purposes and may not universally apply to all building designs or product installations. All projects must adhere to the applicable building codes specific to their area. It is strongly advised to adhere to all building regulations and standard industry practices.

Before ordering and installing materials, it is imperative to confirm all dimensions through field measurements.

Oil canning, characterized by waviness in the flat areas of metal panels, is not grounds for rejection. This phenomenon is inherent to light gauge cold-formed metal products, particularly those with expansive flat surfaces. Various factors, beyond the control of the manufacturing plant, can contribute to oil canning, including misalignment of the support system, overdriving of panel fasteners, induced or inherent stress in the panel, thermal expansion and contraction, material handling, panel width, gauge, length, color, and installation techniques.

For any additional information not covered in this manual, please consult your representative. This manual serves as a comprehensive guide for the installation of steel soffit systems, with the responsibility lying with the erector to ensure the safe installation of the product system.

SAFETY

The installation of **Qm Soffit and Wall Systems** involves inherent risks and should be overseen by trained and knowledgeable erectors. Exercise extreme caution during panel installation. Given the diverse nature of job site conditions, it is impossible for us to anticipate every potential hazard. The erector assumes responsibility for interpreting these instructions and determining the safest installation method.

These instructions serve as a reference for skilled erectors to ensure correct parts placement. If any installation step poses a safety risk to workers, the erector should cease work and implement corrective measures.

Ensure the provision of required fall protection as mandated.

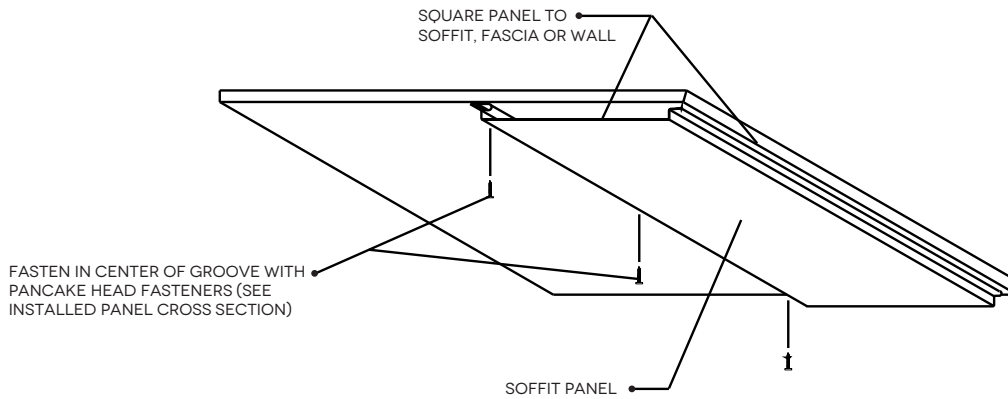
INSTALLING FIRST PANEL

Please Note:

Moisture barriers and jamb flashings must be installed prior to commencing panel installation. Soffit panels are typically installed either from left to right or right to left.

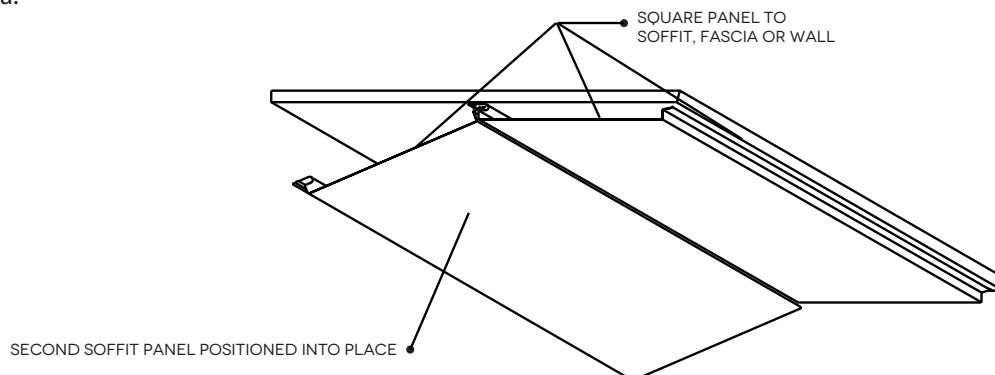
Begin by installing the first panel, ensuring it is square to the soffit, fascia, or wall. The initial panel's alignment is crucial as it dictates the alignment of subsequent panels. Fasten the panel using pancake-head woodscrews, typically spaced 12 inches on center, in the center of the fastening groove, taking care not to overtighten the screws.

In areas prone to high winds, closer fastener spacing may be necessary to ensure structural integrity.

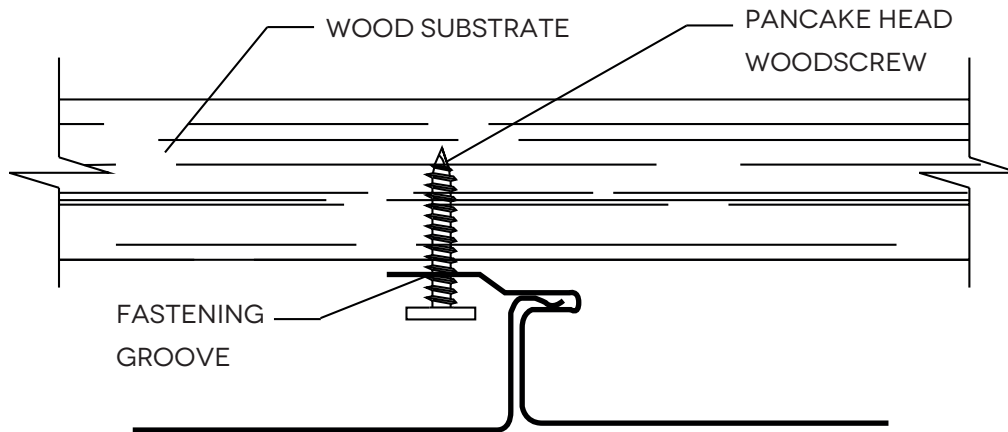


INSTALLING SECOND PANEL

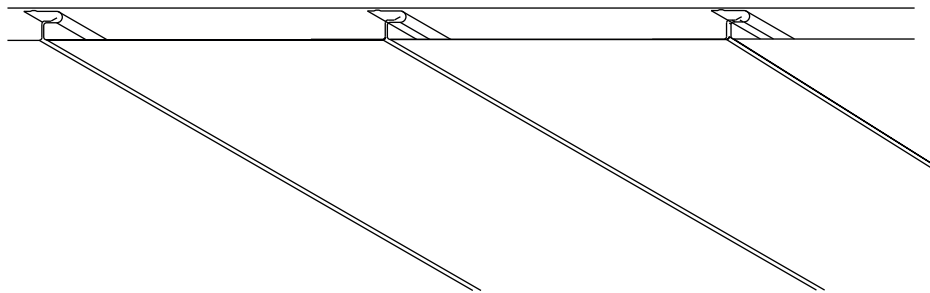
Align the tongue of the second panel with the groove of the first, ensuring that panel ends are properly aligned. Proceed with the preceding steps until the installation is finished. Verify that all panels are correctly installed and remove any debris from the panels before moving on to the next area.



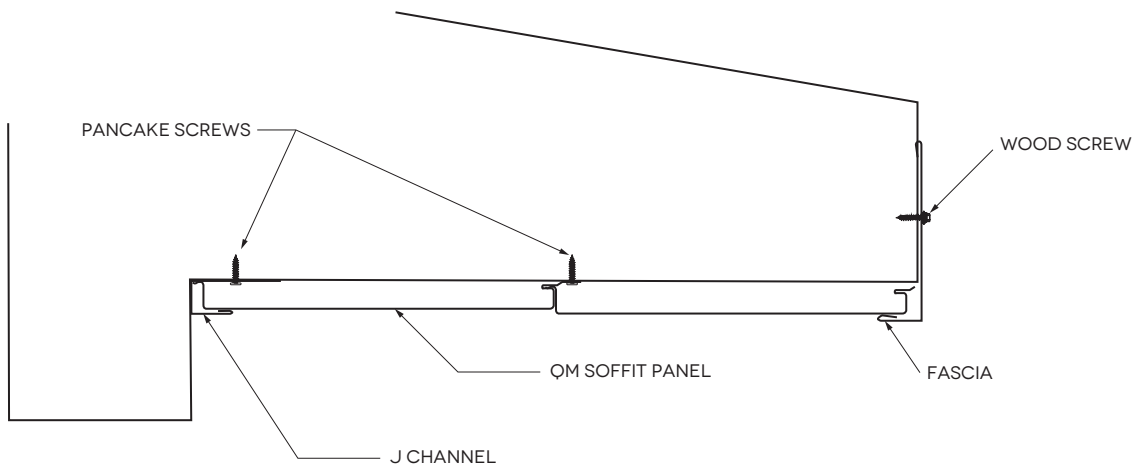
INSTALLED PANEL CROSS SECTION



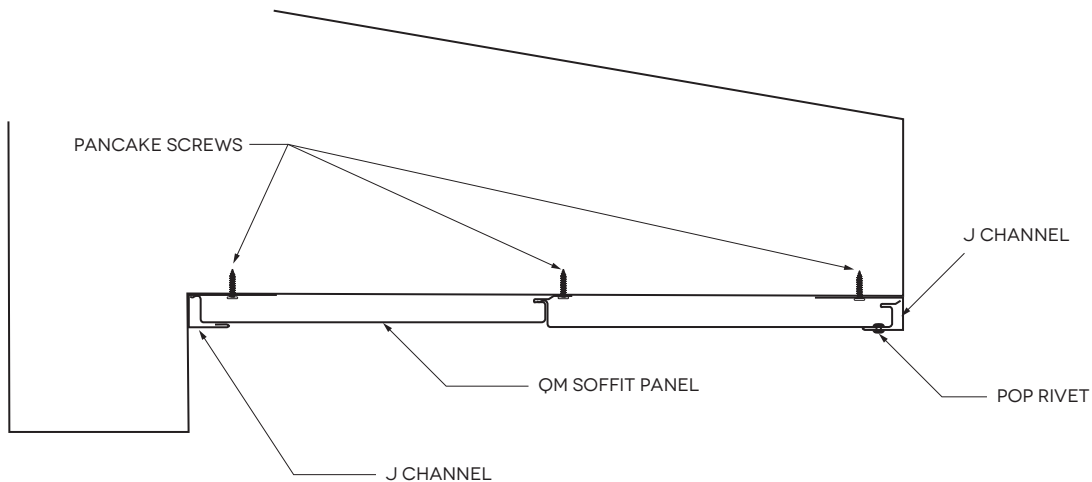
**SOFFIT PANEL CAN BE INSTALLED
IN EITHER DIRECTION.**



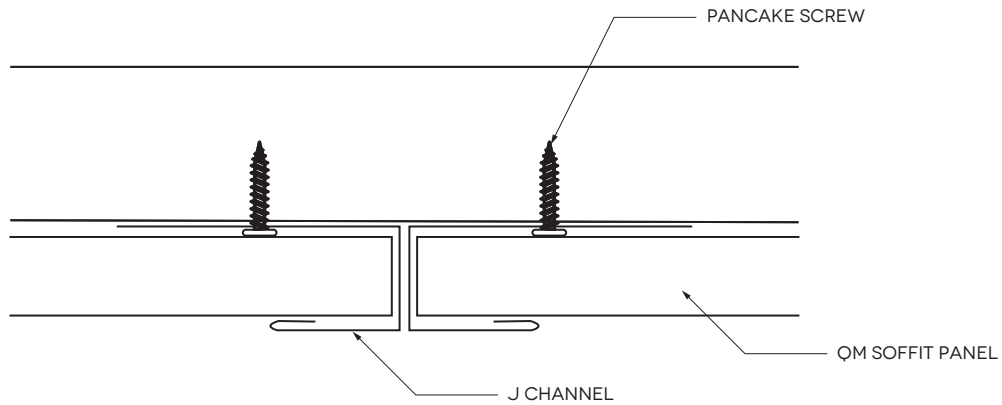
1. Install J-Channel using Pancake Screws.
2. Install Soffit Panels, either horizontally or vertically, tucking them inside the J-Channel.
3. Install Fascia Trim over end, capping the end of the shingles and going up the fascia, and fastening with Wood Screws.



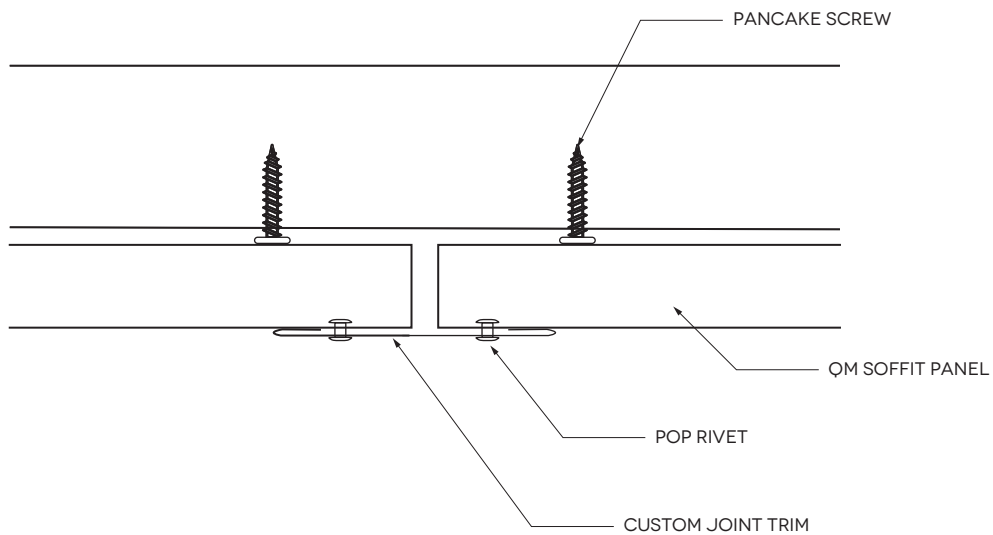
1. Install J-Channel on both sides using Pancake Screws.
2. Install Soffit Panels, either horizontally or vertically, tucking them inside the J-Channel. On the fascia side, pop rivet may be used to hold them tight to the j-channel if needed.



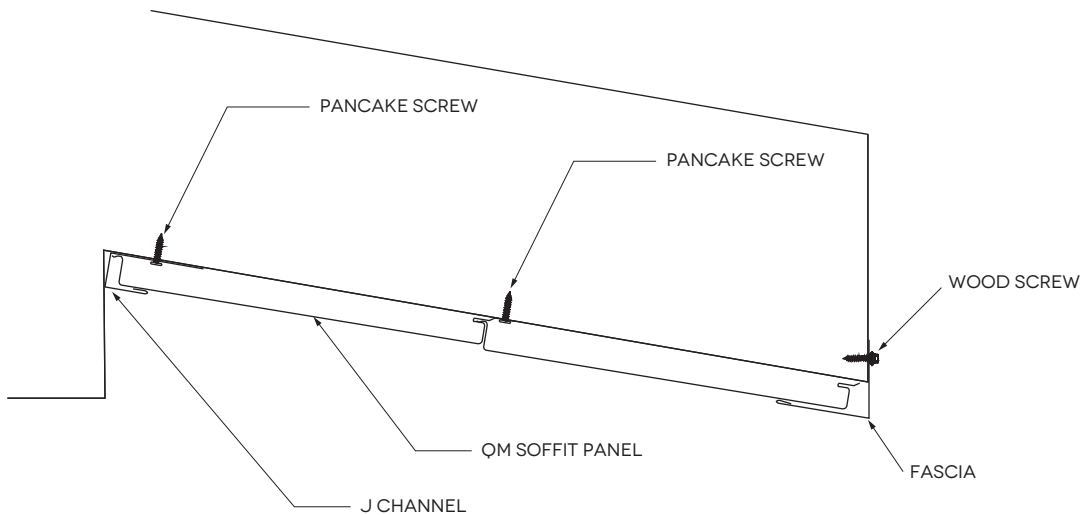
1. Install J-Channel, butted together, and fastened using Pancake Screws.
2. Install Soffit Panels, either horizontally or vertically, tucking them inside the J-Channel. Pop rivets may be used to hold them tight to the j-channel if needed.



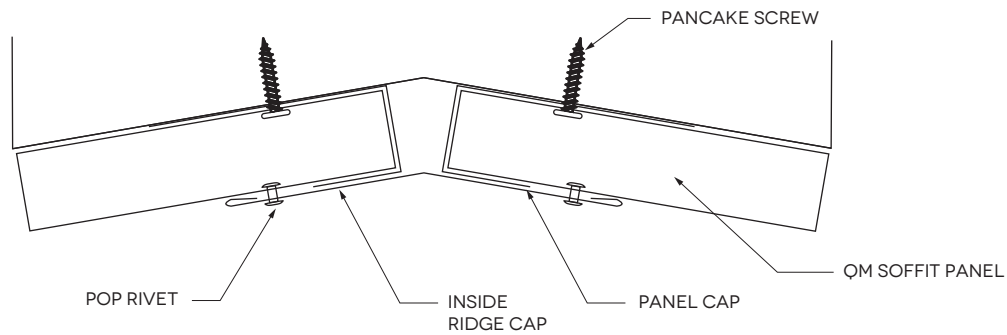
1. Install Soffit Panels, either horizontally or vertically.
2. Install Custom Joint Trim, fastening with Pop Rivets.



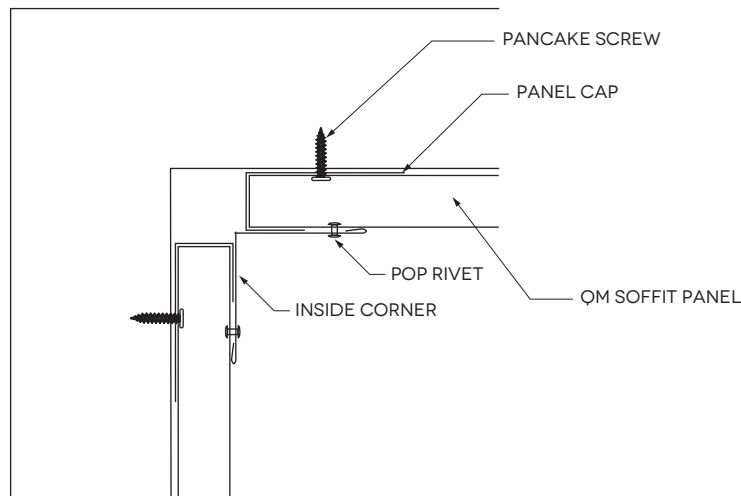
1. Install J-Channel using Pancake Screws.
2. Install Soffit Panels, either horizontally or vertically, tucking them inside the J-Channel, and fastening them with Pancake Screws.
3. Install Soffit Narrow Angle over end, capping the end of the shingles and going up the fascia, and fastening with Wood Screws.



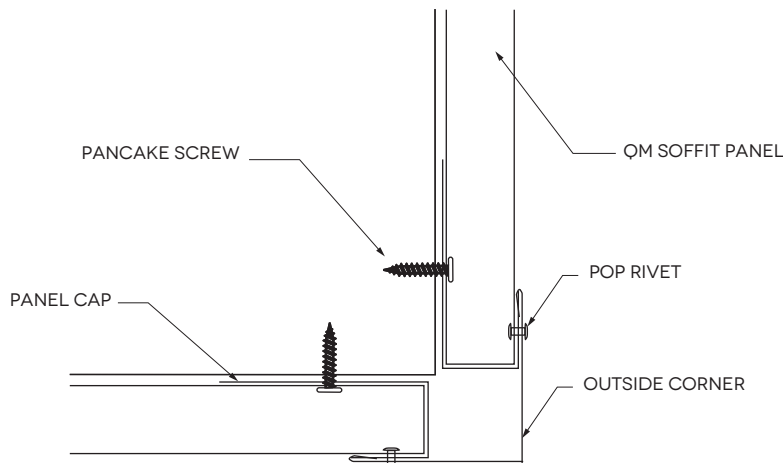
1. Optionally install Panel Caps on each side of inside ridge using Pancake Screws.
2. Install Soffit Panels, either horizontally or vertically, tucking them inside the Panel Caps (if used), and fastening them with Pancake Screws.
3. Install Inside Ridge Cap over panels and fasten with pop rivets.



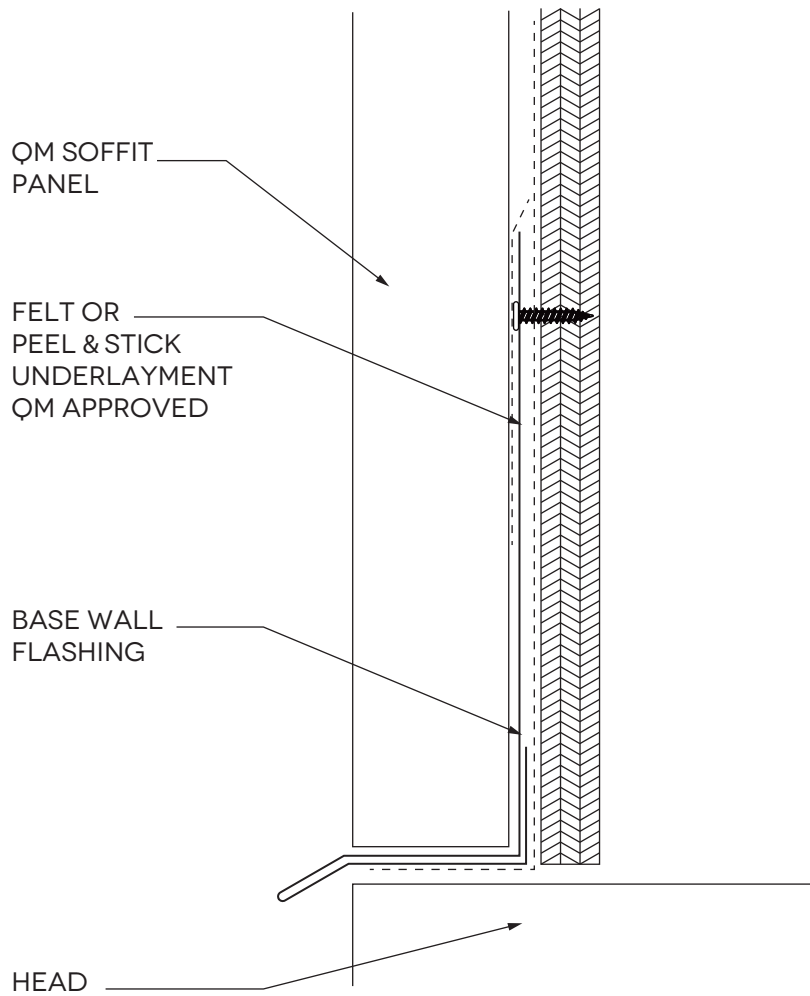
1. Optionally install Panel Caps on each side of inside corner using Pancake Screws.
2. Install Soffit Panels, either horizontally or vertically, tucking them inside the Panel Caps (if used), and fastening them with Pancake Screws.
3. Install Inside Corner over panels and fasten with pop rivets.



1. Optionally install Panel Caps on each side of outside corner.
2. Install Soffit Panels, either horizontally or vertically, tucking them inside the Panel Caps (if used), and fastening them with Pancake Screws.
3. Install Outside Corner over panels and fasten with pop rivets.



BASE FLASHING



HEAD J FLASHING

